

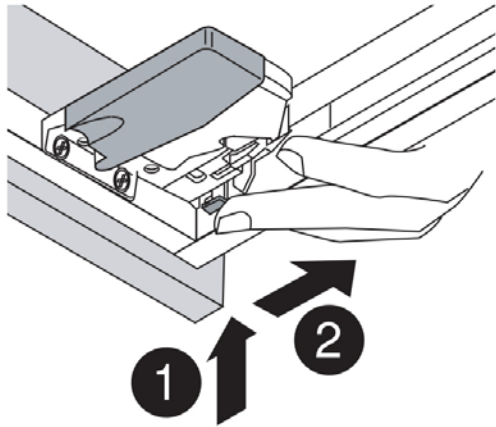
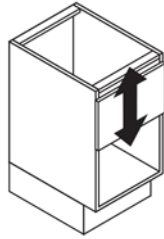
COR/MIL | Blum inMotion Guide Adjustment

Height Adjustment

Press down on adjustment latch

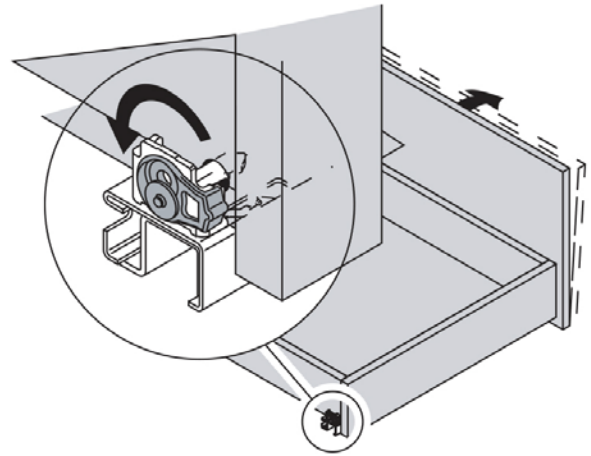
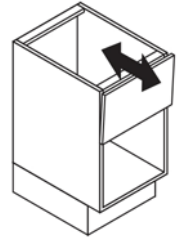
Push latch towards back of drawer after pressing down

Provides upward adjustment only



Tilt Adjustment

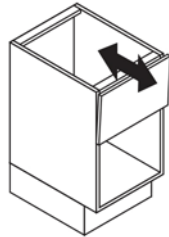
Rotate tab on rear hook to adjust tilt



INSET

Tilt Adjustment

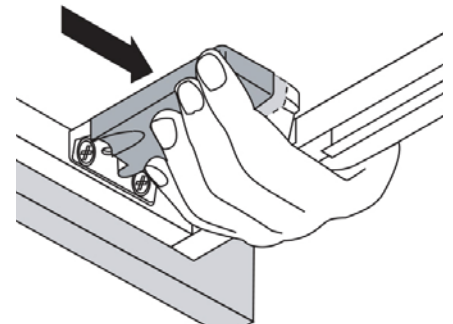
Loosen screw and adjust metal guide



Drawer Removal

Reach under drawer and squeeze both orange locking devices

While holding handles, pull drawer straight out and lift off runners



Drawer Installation

Place drawer on guides (extended or retracted) and close

Locking devices will automatically engage. Open drawer completely to confirm.

