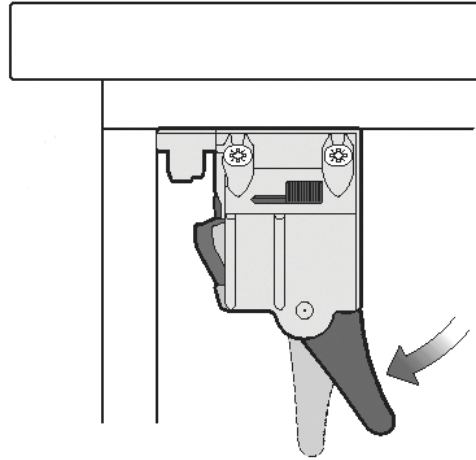


Adjusting the height on red undermount drawer guides

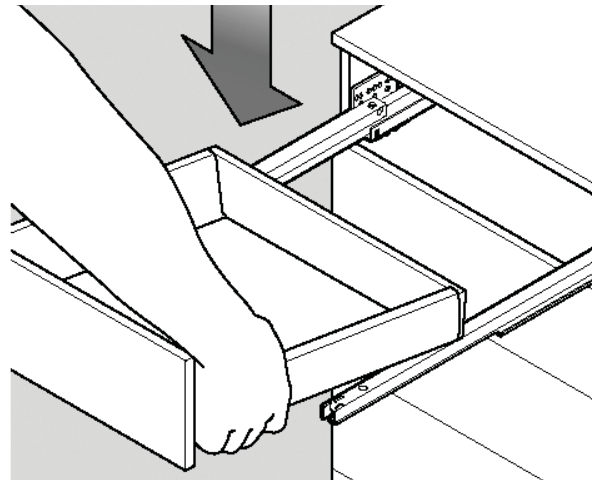
DRAWER REMOVAL

1. With drawer fully extended, press and hold green lever on locking bracket.
2. Pull drawer out and up.



DRAWER INSTALLATION

Place drawer onto runners and close. Locking devices will engage runners.



HEIGHT ADJUSTMENT

Slide the green lever toward the slide to adjust height.

Maximum adjustment is 2.5 mm.

