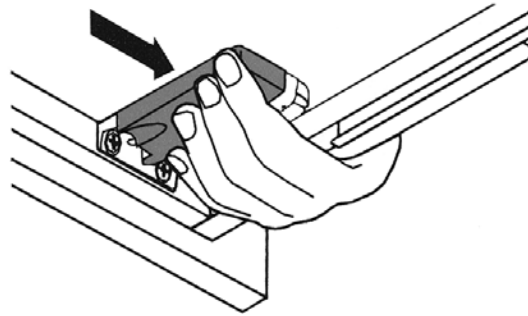


Adjusting orange under mount drawer guides

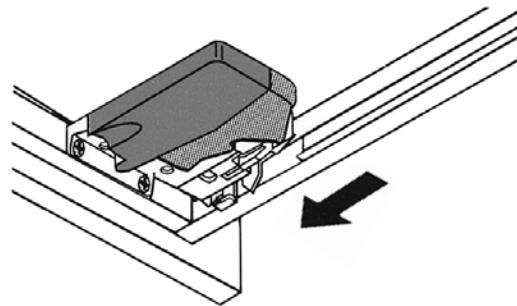
DRAWER REMOVAL

1. Squeeze orange handles on locking devices
2. Pull drawer out and up



DRAWER INSTALLATION

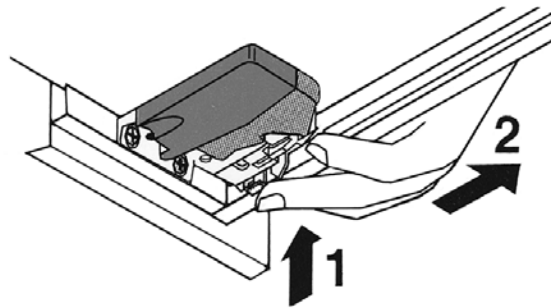
Place drawer onto runners and pull guide into locking mechanism



HEIGHT ADJUSTMENT

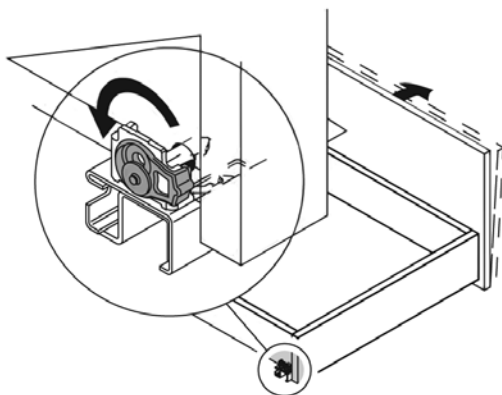
1. Press up on adjustment latch
2. Push toward back of drawer to raise height

Maximum adjustment: 1/8"



TILT ADJUSTMENT

Rotate tab on rear hook for tilt adjustment (to adjust fit of drawer front top to bottom)



SIDE-TO-SIDE ADJUSTMENT

Rotate rear side adjustment left or right to re-align the back of the drawer with the front

*For inMotion drawer guides with a black lever only

