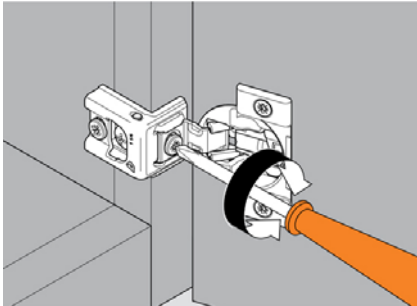
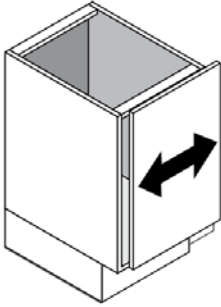


CORNERSTONE | Blum inMotion Hinge Adjustment

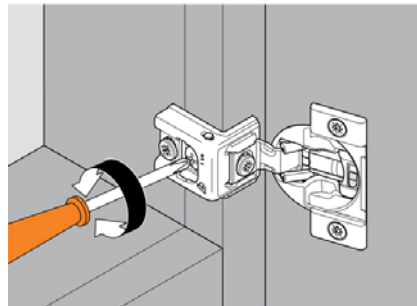
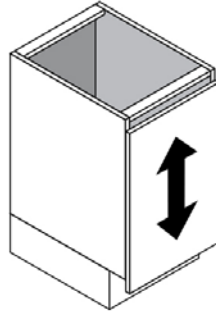
Side Adjustment

Rotate the front cam screw to increase or decrease door overlay (+/- 1/16").



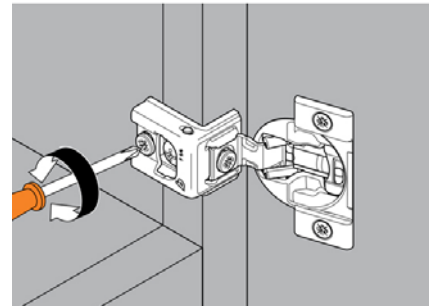
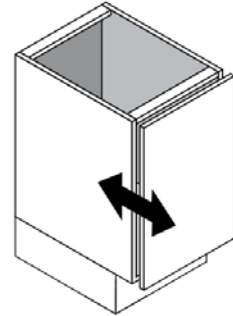
Height Adjustment

Loosen installation screws to adjust door position (+/- 1/8"), then retighten.



Depth Adjustment

Rotate the rear cam screw to adjust door gap (+ 3/32", - 3/32").



CORNERSTONE | Blum inMotion Hinge Deactivation

For small or light doors, inMotion can be deactivated in one of the hinges. The position marked "I" is activated; turn to "0" to deactivate.

Door must be closed once for the deactivation to be complete.

